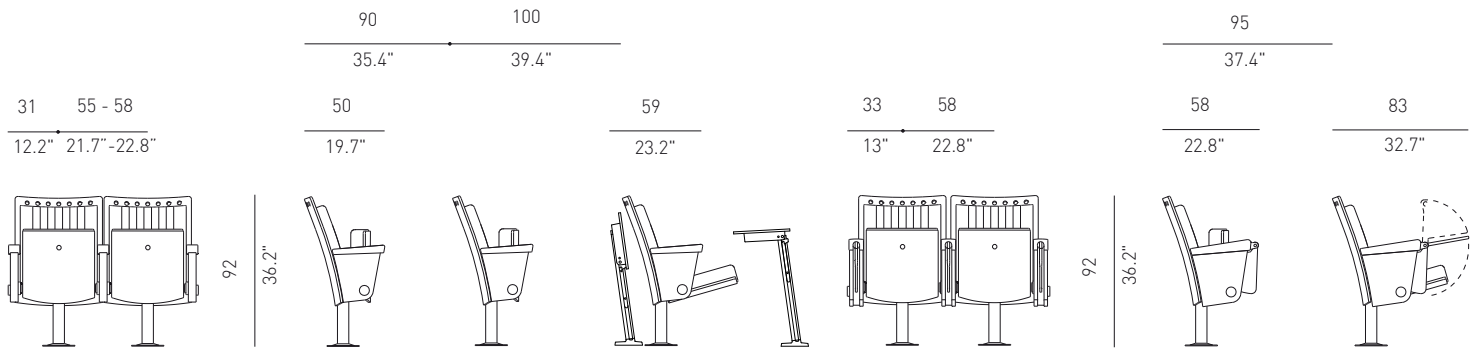


carmen_150/55



Mod. 150/55

Mod. 150/55 + F48

Mod. 150/55 + PLX